

# SE-1010

DIGITAL ENCODER



The Motorola SE-1010 digital video encoder provides Motorola's fifth generation video compression technology in a compact chassis that is ideally suited for the cable headend and small broadcast applications. The SE-1010 digital encoder accepts either analog composite or digital CCIR-601 video. Video compression uses I-frame refresh to facilitate seamless MPEG-2 stream splicing. The video compression data rate is controlled by a simple front panel interface or through the Ethernet port via SNMP. Two stereo audio channels are compressed with either Dolby® brand AC3 or MPEG layer II encoding. The Motorola SE-1010 provides three types of outputs; DVB-ASI, 10/100/1000Base-T Ethernet, and digital headend expansion interface (DHEI) for easy interoperability with cable headends and broadcast equipment.

The Motorola SE-1010 is MPEG-2 and DVB compliant.

*Digital encoder ideally suited for cable and small broadcast applications.*

#### HIGHLIGHTS INCLUDE:

- Compact, 1 RU design
- Analog or digital input
- DHEI, 10/100/1000Base-T Ethernet or DVB-ASI output
- Simple, front panel or SNMP Ethernet control and monitoring
- 4:2:0 video encoding modes
- Dolby brand AC3 and MPEG layer II audio coding support
- DVB SI and Teletext compliant
- Statistical multiplexing capability with the use of external Motorola TMX-2010 multiplexer

## GENERAL SPECIFICATIONS

### Video Processing

Mode:	NTSC, analog composite PAL, analog composite CCIR601
Resolution:	720 x 480 704 x 480 544 x 480 528 x 480 480 x 480 352 x 480 720 x 576 704 x 576 544 x 576 528 x 576 480 x 576 352 x 576
Compression Rate:	0.1, 0.2 (still frame) 1.0 to 15.0 Mbps (4:2:0)

### Audio Processing

Modes:	Dolby® brand AC3 Pre-compressed MPEG layer II
Compression Rates:	96, 112, 128, 160, 192, 224, 256, 320, 384, 448*, 512*, 576*, 640* kbps (*AC3 only)
Sampling Rates:	44.1 or 48 Ksps

### Transport Output

DVB-ASI:	(3) BNC, female
DHEI (29.26 MHz):	HD-15, male
10/100/1000Base-T	
Ethernet:	(2) RJ-45, female

### Digital Video Input

Signal:	Serial digital 4:2:2 per SMPTE-259M/SMPTE- 125M
Connector:	BNC, female
Number:	2 (one active loop- through)

### Analog Video Input

Signal:	Analog composite per RS-170A and CCIR624-4, NTSC-525 and PAL-625
Connector:	BNC, female
Number:	2 (one loop-through)

### Digital Audio Input

Signal:	AES3
Connector:	BNC; female
Number:	2

### Digital Audio Input (embedded)

Signal:	AES/EBU
Connector:	Via digital video input
Number:	2

### Analog Audio Input

Connector:	Terminal block (balanced; L1 ±, R1 ±, GND1, L2 ±, R2 ±, GND2)
Impedance:	600 Ω
Number:	2

### Control and Status

Type:	Front panel, form C and 10/100BaseT Ethernet (SNMP)
-------	---

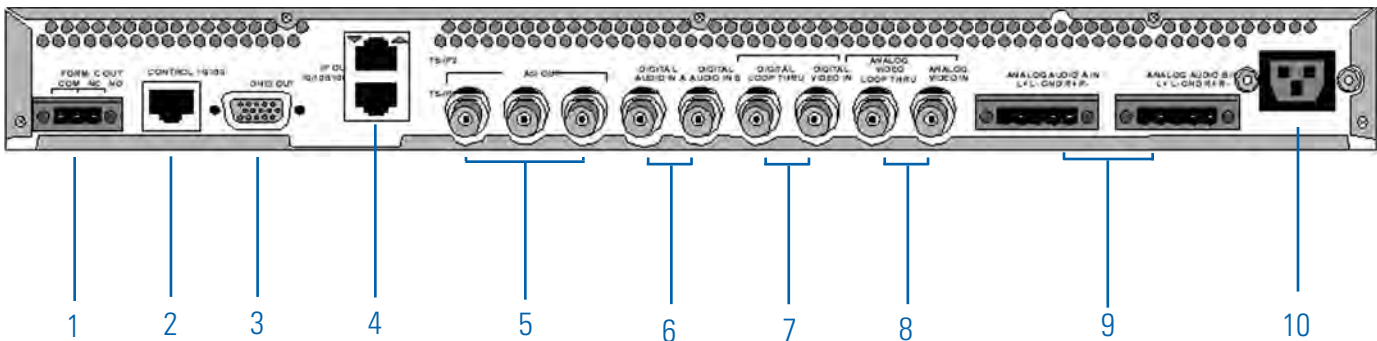
### Physical

Width:	18.97" (48cm)
Depth:	19.9" (51cm)
Height:	1.73" (4.4cm)
Weight:	15.5 lb
Power:	115-230VAC @ 1A (max)

### Other

Limited Warranty:	One year
-------------------	----------

## INPUTS/OUTPUTS



- 1..... Form C
- 2..... Ethernet
- 3..... DHEI

- 4..... IP Out
- 5..... ASI
- 6..... Digital Audio

- 7..... Digital Video
- 8..... Analog Video
- 9..... Analog Audio
- 10.... Power



MOTOROLA and the Stylized M Logo are registered in the U.S. Patent and Trademark Office. All other product or service names are the property of their respective owners. DVB is a registered trademark of the DVB Digital Broadcasting Project. Dolby is a registered trademark of Dolby Laboratories. ©Motorola, Inc. 2004-2005.

Functions and features subject to change without notice.