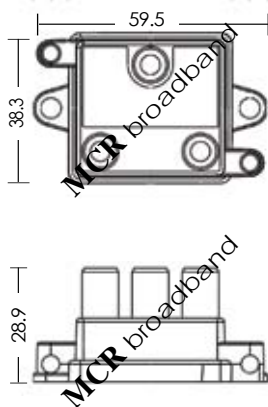


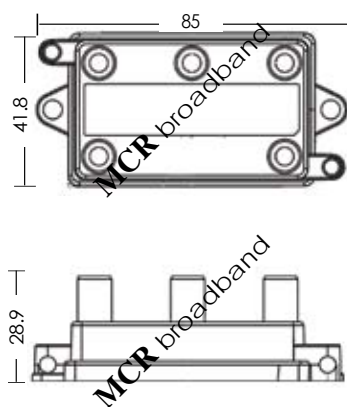
	8110MPV 2-Way		8112MPV 3-Way Unbal		8002MPV 3-Way Bal		8113MPV 4-Way		8116MPV/ 8116MPVT 6-Way		8118MPV/8118MPVT 8-Way	
INSERTION LOSS	Typical	QA	Typical	QA	Typical	QA	Typical	QA	Typical	QA	Typical	QA
5-15 MHz	3.3	3.5	3.3/6.6	3.5/6.8	5.5	5.7	6.8	7.0	9.5	10.0	10.2	10.5
16-42 MHz	3.3	3.5	3.3/6.6	3.3/6.8	5.5	5.7	6.8	7.1	9.5	10.0	10.2	10.5
52-400 MHz	3.4	3.6	3.4/6.7	3.6/6.9	5.6	5.8	6.9	7.2	9.6	10.2	10.4	10.6
401-860 MHz	3.5	3.7	3.5/6.9	3.6/7.1	5.7	5.9	7.2	7.4	9.7	10.3	10.5	10.8
861-1002 MHz	3.6	3.9	3.6/7.4	3.8/7.5	6.2	6.4	7.4	7.6	9.8	10.5	10.6	10.8
1003-1200 MHz	3.9	4.1	3.87/7.5	4.1/7.8	6.9	6.5	7.8	8.0	10.1	10.8	11.3	11.5
RETURN LOSS - INPUT PORT												
5-15 MHz	24	22	24	22	24	22	24	22	24	22	24	22
16-42 MHz	25	23	25	23	25	23	25	23	25	23	25	23
52-400 MHz	24	22	24	22	24	22	24	22	24	22	24	22
401-860 MHz	24	22	24	22	24	22	24	22	24	22	24	22
861-1002 MHz	22	20	22	20	22	20	22	20	22	20	22	20
1003-1200 MHz	20	18	20	18	20	18	20	18	20	18	20	18
RETURN LOSS - OUTPUT PORTS												
5-15 MHz	28	26	28	26	28	26	28	26	28	26	28	26
15-49 MHz	36	34	35	33	35	33	38	32	38	32	38	32
50-400 MHz	28	26	28	26	28	26	28	26	28	26	28	26
401-750 MHz	24	22	24	22	24	22	24	22	24	22	24	22
751-1002 MHz	22	20	22	20	22	20	22	20	22	20	22	20
1003-1200 MHz	20	18	20	18	20	18	20	18	20	18	20	18
ISOLATION OUTPUT PORT TO PORT												
5-15 MHz	24	20	24	20	25	22	25	22	26	24	26	24
15-49 MHz	38	35	38	35	38	36	40	38	38	36	38	36
50-400 MHz	28	26	28	26	28	26	30	28	30	28	30	28
401-750 MHz	26	24	26	24	28	26	28	26	28	26	28	26
751-1000 MHz	22	20	22	20	22	20	24	22	26	24	26	24
1003-1200 MHz	18	20	18	20	18	20	18	20	24	26	24	26
PHYSICALS												
Weight (gram)	1.7 oz (48g)		2.6 oz (74g)		2.5 oz (71g)		2.6 oz (74g)		4.0 oz (113g)		4.3 oz (122g)	
Packaging-master carton	200		200		200		200		100		100	

Specifications subject to change without notice

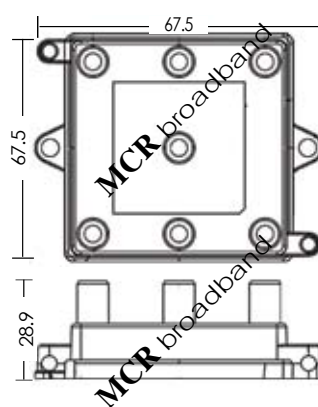
8110MPV



8113MPV



8116MPV



8118MPVT

