

MAXNET® II

Platinum Series

RF & Optical Signal Management

Patented
U.S.# 7,142,414



Passive Products

3RU Active Chassis
(front view)

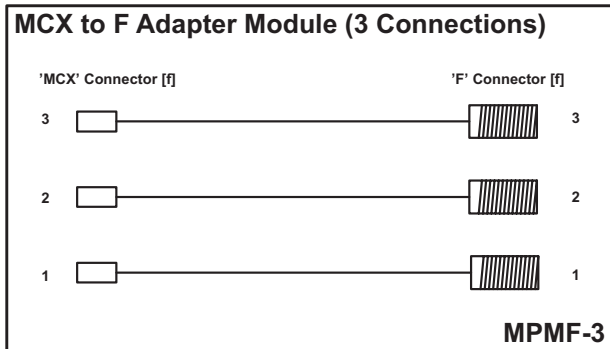
MCX to F Transition Module:

- ▶ High performance MCX & F connector

MCX to F Transition Module Specifications

| |
|-------------------------|
| IL < 0.2 dB, 5-1000 MHz |
| RL > 30 dB, 5-1000 MHz |

Functional Schematic



Ordering Information

| Part Number | Description |
|-------------|--------------------------------|
| MPMF-3 | Triple MCX-F Transition Module |