

MAXNET®

RF & L-Band Signal Management

Patented
U.S.# 6,842,348



Active Products

Remote Powered Active Chassis:

Remote Powered Active Chassis Specifications

ELECTRICAL SPECIFICATIONS	REMOTE POWER CHASSIS MN5BAR
INPUT	
INPUT VOLTAGE	24.0 ± 0.5 VDC
OUTPUT	
OUTPUT VOLTAGE	23.5 ± 0.5 VDC
DC OUTPUT CURRENT	9 Amps (max.)
OTHER	
OPERATING TEMPERATURE	-40°C to +60°C
24V POWER INDICATOR	Rear LED
24V FAILURE NOTIFICATION	Form 'A' Relay
TERMINAL BLOCK WIRING	# 14 AWG

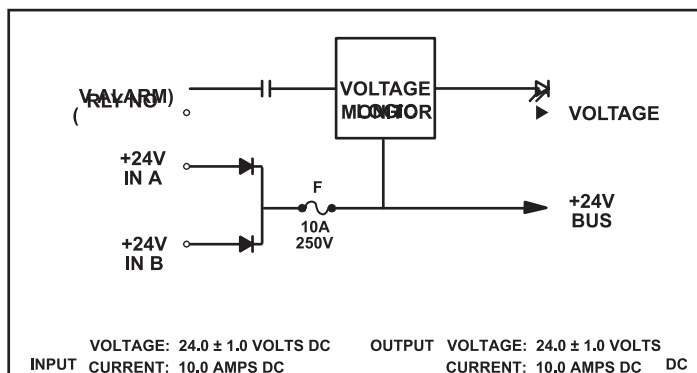
MN5BAR
Remote Powered
Active Chassis
(rear close-up view)



Rear Panel Terminal Block Assignment Specifications

TB #	REMOTE POWER CHASSIS
1	P24V IN A
2	COM A
3	P24V IN B
4	COM B
5	RLY NO
6	RLY COM

Functional Schematic



Ordering Information

Part Number	Description
MN1.5	1.5RU 19" Horizontal Chassis and Power Jumper
MN5BA	5RU 19" Vertical POWER/ACTIVE Chassis, Front Mount with 2 Cable Bars
MN5BAR	5RU 19" Vertical Remote Powered Active Chassis with Cable Bars
MN5EA	5RU 19" Vertical Active Chassis with Cable Management Ears
MN5TA	5RU 19" Vertical Active Chassis, Front Mount with Cable Management Tray
MNRB	Horizontal Active Rails for Retrofit of MAXNET Passive Chassis
MN5TAR	5 RU 19" Vertical Remote Powered Active Chassis w/ Tray
MNEAR	Cable Management Ears for MAXNET Chassis